

HP 54503 A SCOPE

POWER SUPPLY

BOSCHERT INC. MC 1368A
24V-0
MULTI

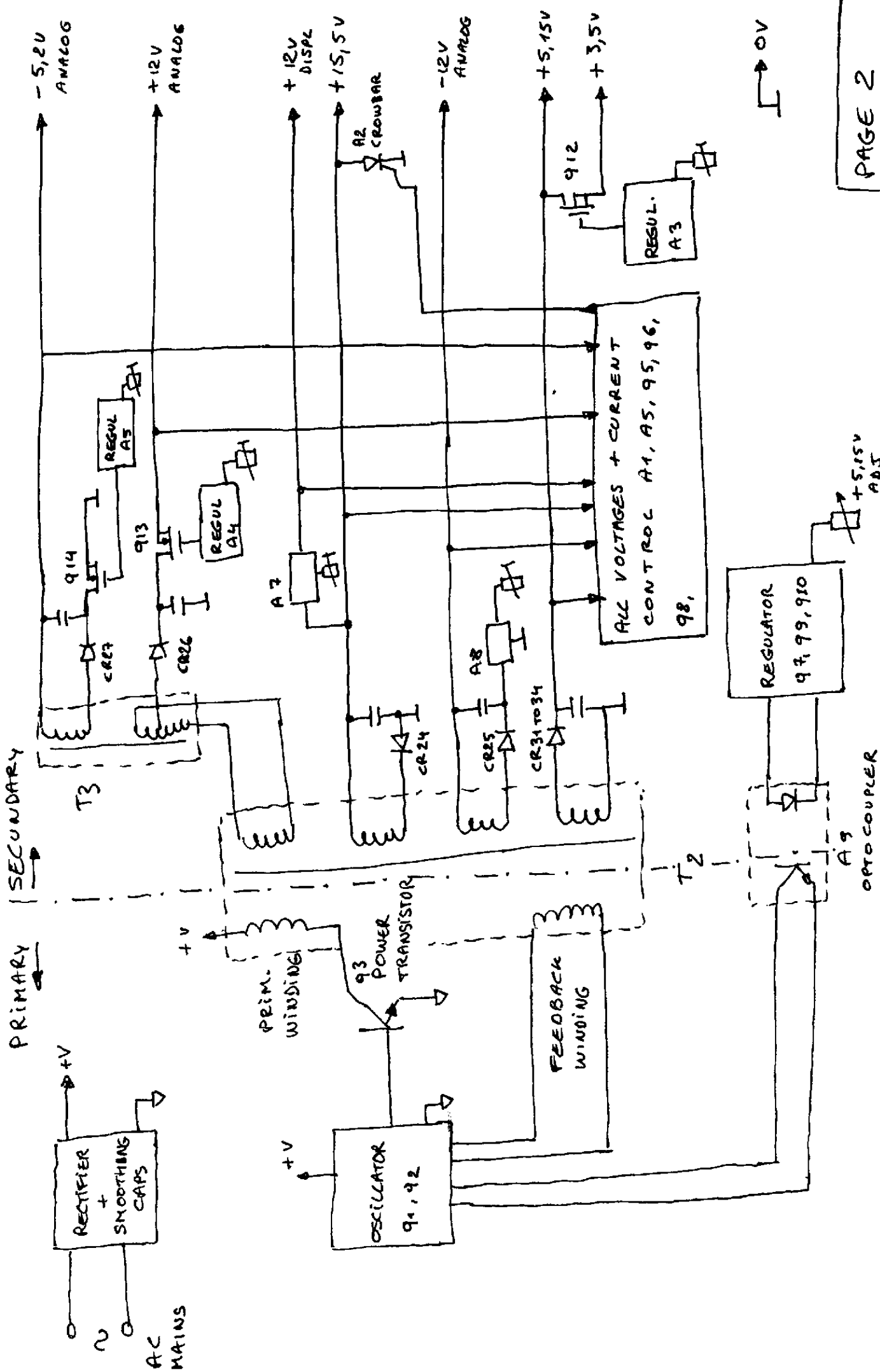
MODEL 510040 REV A

© 1987 8903

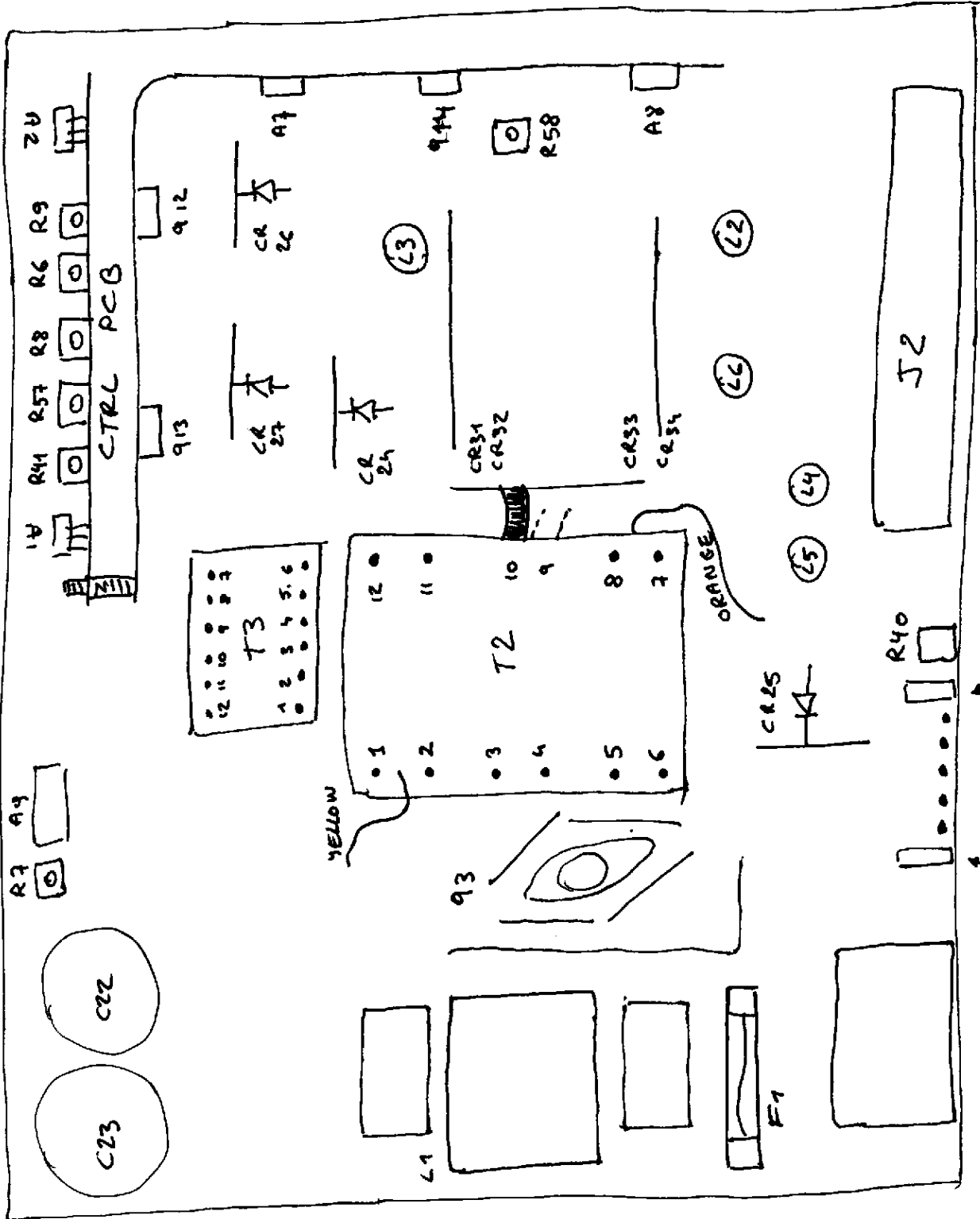
REVERSE ENGINEERING - FEB. 2011

TIMOTHY MAGIS

HP 54503 SCOPE POWER SUPPLY : BLOCK DIAGRAM



HP 54503 SCOPE POWER SUPPLY : ADJUSTMENTS



R6 = +3,5V ADJ.

R7 = FREQ. OSC. ADJ.

R8 = +12VAN. ADJ.

R9 = -5,2V ADJ.

R40 = +5,15V ADJ.

R41 = VREF ADJ.

R57 = +12V DISP. ADJ.

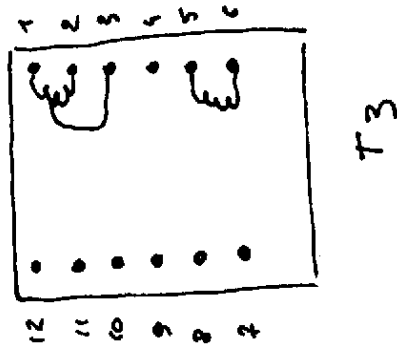
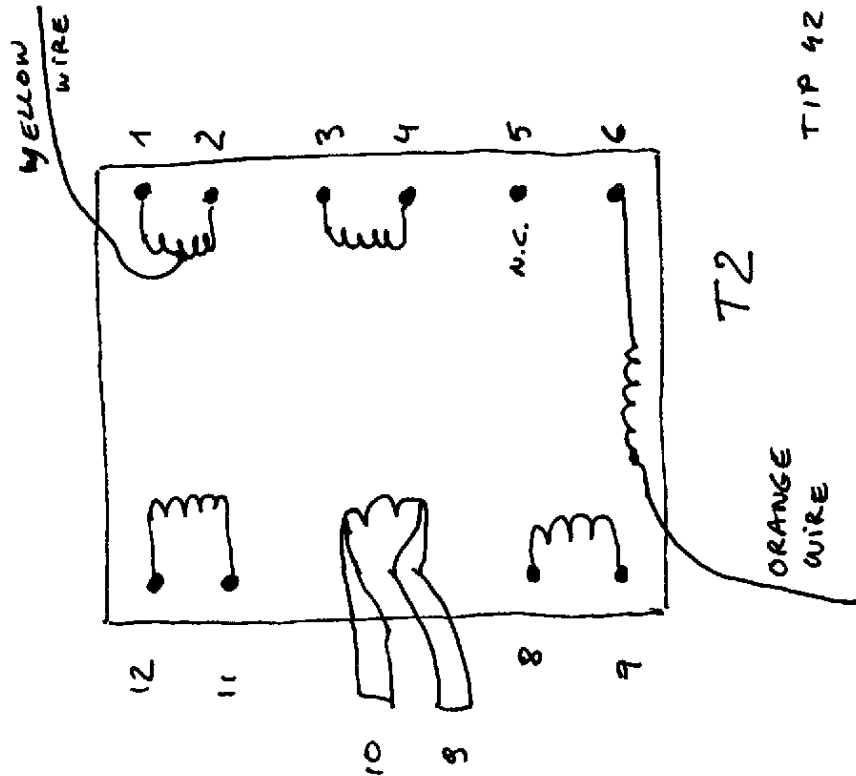
R58 = -12V EN. ADJ.

COMPONENT VIEW!

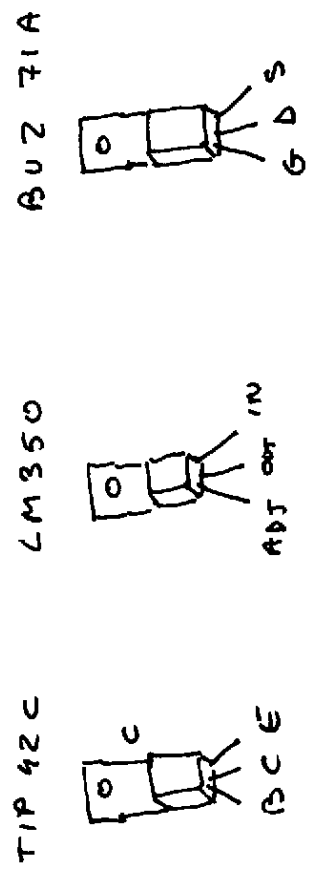
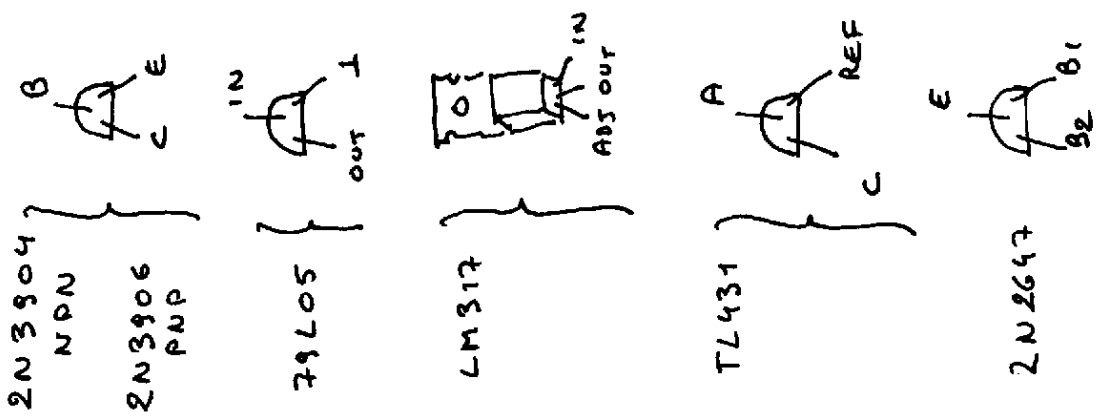
ONLY R40 CAN BE REACHED WITHOUT REMOVING THE COVER

HP 54503 SCOPE

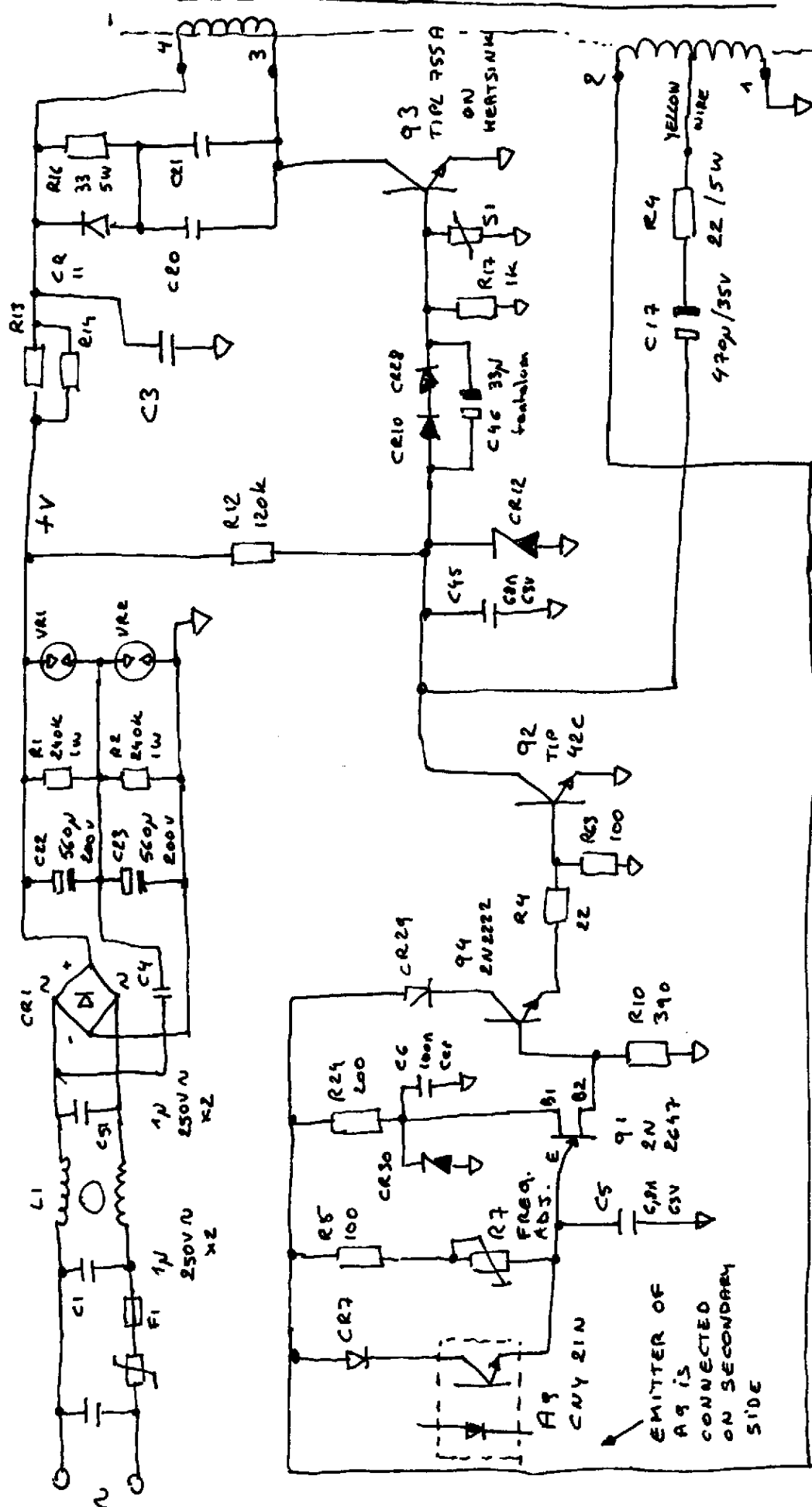
POWER SUPPLY : TRANSFORMERS AND COMPONENTS



SOLDER VIEW!



HP 54503 SCOPE POWER SUPPLY : PRIMARY SIDE

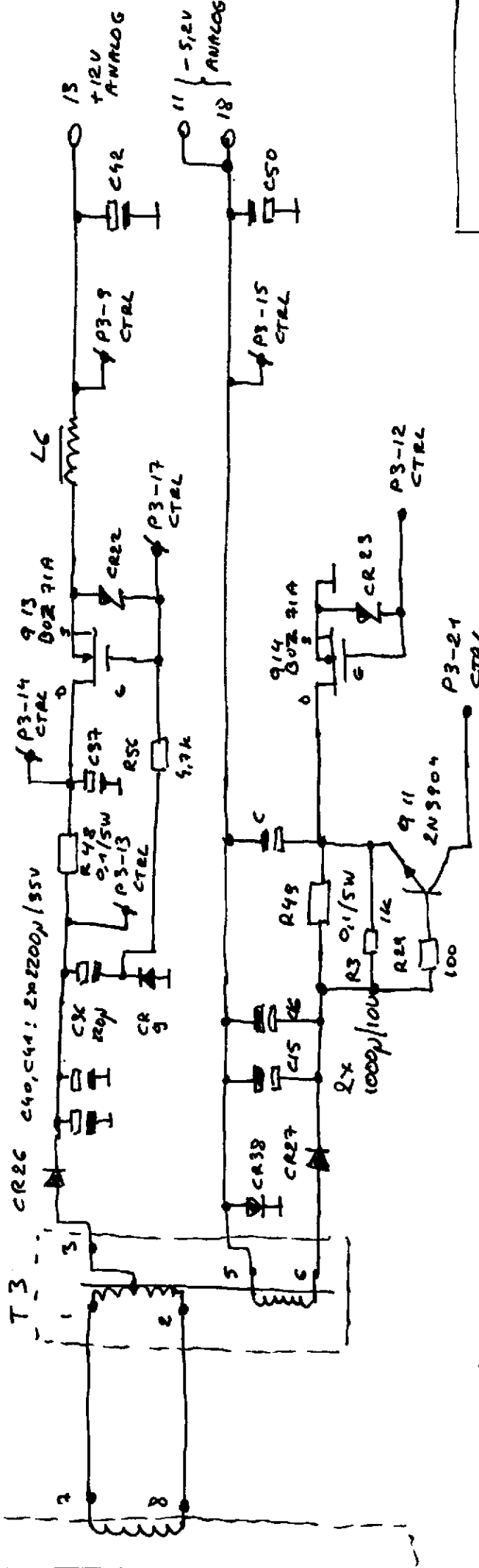
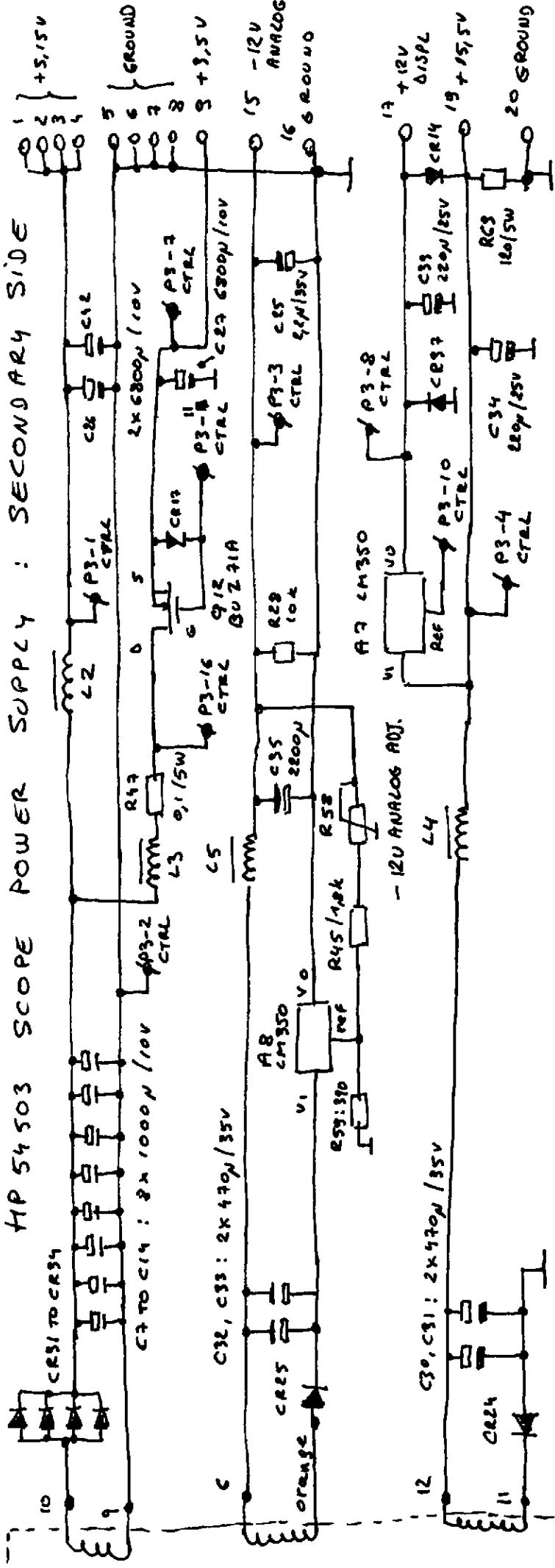


⚠ DIRECTLY CONNECTED TO MAINS ⚡ DANGER! ⚡

THIS SCHEMATIC MAY CONTAIN ERRORS! TO BE USED AS HELP FOR REPAIR WORKS ONLY!
 SOME VALUES (DIODES) WERE UNRELIABLE.

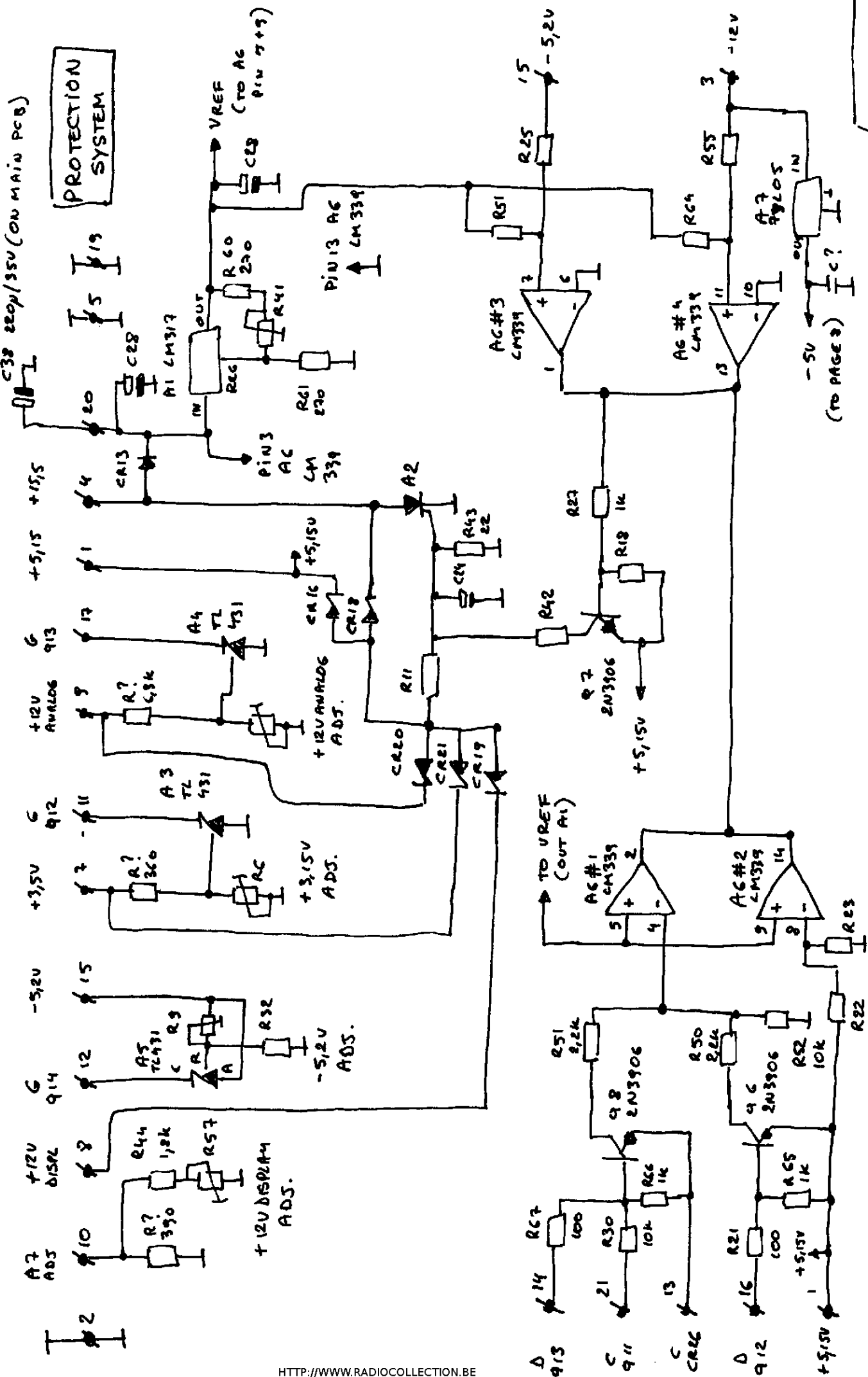
J2

HP 54503 SCOPE POWER SUPPLY : SECONDARY SIDE



MAY CONTAINS ERRORS! TO BE USED AS HELP FOR REPAIR WORKS ONLY!

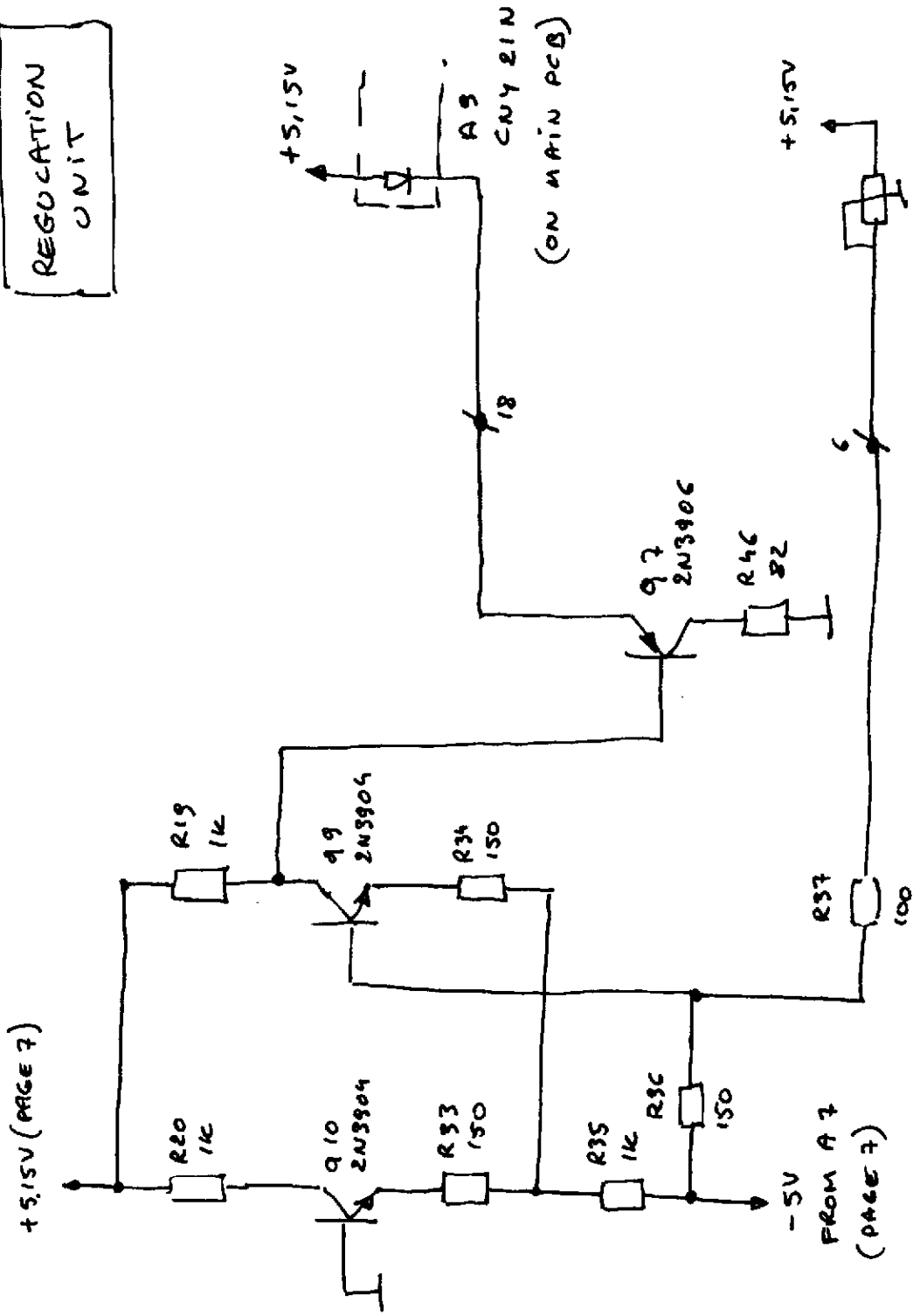
HP 54503 SCOPE POWER SUPPLY : REGULATION PCB (CTRL) #1



MAY CONTAINS ERRORS! TO BE USED AS HELP FOR REPAIR WORKS ONLY!

HP 54503 SCOPE POWER SUPPLY: REGULATION PCB #2 (CTEL)

REGULATION UNIT



+5.15V
R40
+5.15V
ADJ.
(ON MAIN PCB)

MAY CONTAINS ERRORS! TO BE USED AS HELP FOR REPAIR WORKS ONLY!